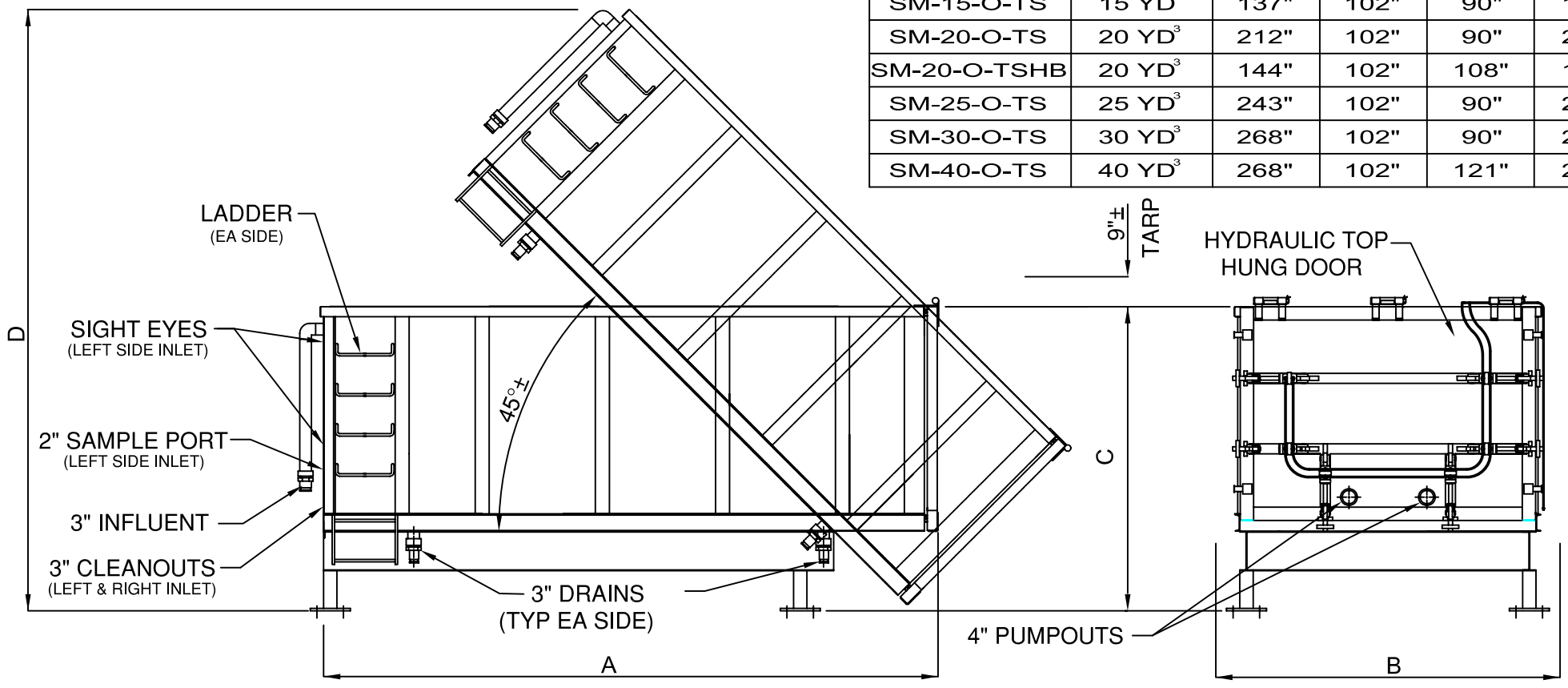



MODEL	VOLUME	A	B	C	D
SM-07-O-TS	07 YD ³	102"	71"	84"	138"
SM-12-O-TS	12 YD ³	120"	102"	90"	139"
SM-15-O-TS	15 YD ³	137"	102"	90"	151"
SM-20-O-TS	20 YD ³	212"	102"	90"	201"
SM-20-O-TSHB	20 YD ³	144"	102"	108"	168"
SM-25-O-TS	25 YD ³	243"	102"	90"	226"
SM-30-O-TS	30 YD ³	268"	102"	90"	252"
SM-40-O-TS	40 YD ³	268"	102"	121"	281"



SIDE ELEVATION

REAR END ELEVATION

THESE DRAWINGS CONTAIN CONFIDENTIAL PROPRIETARY INFORMATION. THEY ARE NOT TO BE COPIED, REPRODUCED OR USED IN ANY MANNER THAT WOULD COMPROMISE THE CONFIDENTIALITY OF THE INFORMATION CONTAINED HEREIN. THESE DRAWINGS ARE NOT TO BE USED FOR CONSTRUCTION, FABRICATION OR SPECIFICATION WRITING PURPOSES UNLESS A SPECIFIC CONFIDENTIALITY AGREEMENT AND LICENSING AGREEMENT HAVE FIRST BEEN ENTERED INTO WITH FLO TREND SYSTEMS, INC. OF HOUSTON, TEXAS. FAILURE TO OBSERVE THE CONDITION OF THIS NOTICE WILL RESULT IN PROSECUTION AS ALLOWED UNDER THE LAWS OF THE STATE OF TEXAS, U.S.A. OR THOSE OF ANY OTHER APPROPRIATE JURISDICTION AS FLO TREND SYSTEMS, INC.



**FLO TREND
SYSTEMS, INC.**

707 LEHMAN		HOUSTON, TEXAS 77018	
SCALE:	NONE	DRAWN BY:	JM
DATE:	09-26-05	APPROVED BY:	REMOVED
TITLE:		PRESENTATION DRAWING	
DESCRIPTION:		FTS HYDRAULIC OPERATED STATIONARY SLUDGEMATE	
DRAWING NUMBER:		Tsm-Spec-001	