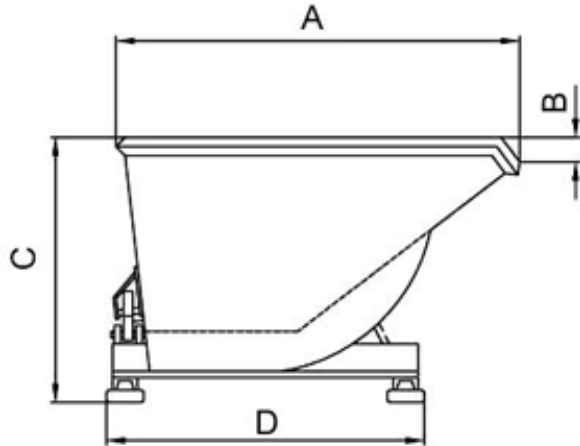


Self Dumping Container Filters

Model	Volume Capacity Cubic yds	A Inches	B Inches	C Inches	D Inches	E Inches	F Inches	G Inches	H Inches	I Degrees	J Inches	Weight Capacity Pounds	Shipping Weight Pounds
T-0-5	1/2	47	2 1/2	31	42 1/2	39	39	7	60	42	46	4,000	621
T-1-0	1	62	4	38 1/2	48	39	39	9	75	35	58	6,000	761
T-1-5	1 1/2	67	8	46 1/4	54 1/2	44 1/2	43 3/4	6	85	35	63	6,000	927
T-2-0	2	66	8	48	56 1/2	57	58	5	87	32	65	6,000	1,132
T-3-0	3	72 1/2	11 1/2	58 1/2	59	63	54 1/2	1/2	98	25	60	5,000	1,491
T-4-0	4	72 1/2	11 1/2	58 1/2	59	83	54 1/2	1/2	98	25	60	4,000	1,737
T-5-0	5	72 1/2	11 1/2	58 1/2	59	103	54 1/2	1/2	98	25	60	4,000	1,936



Construction Features

- * Structural Steel Base.
- * Precision Welding.
- * Expert Finish.
- * Spring Loaded Latch.
- * Press Fitted Rocker Pins.

